

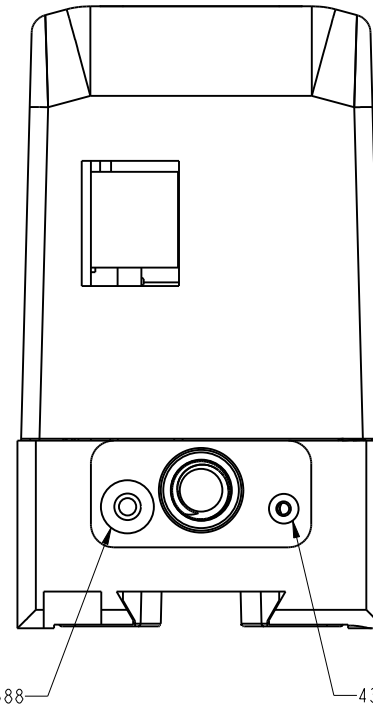
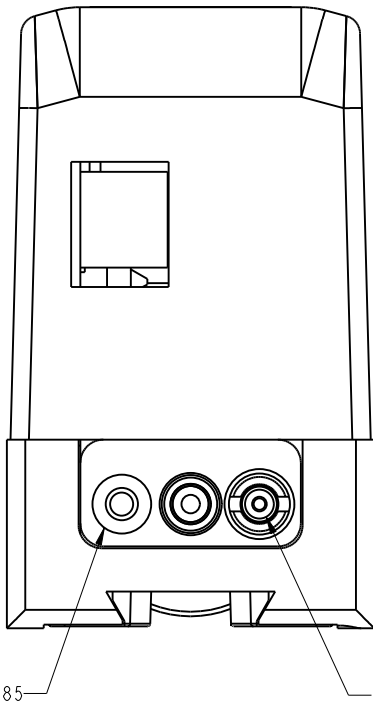
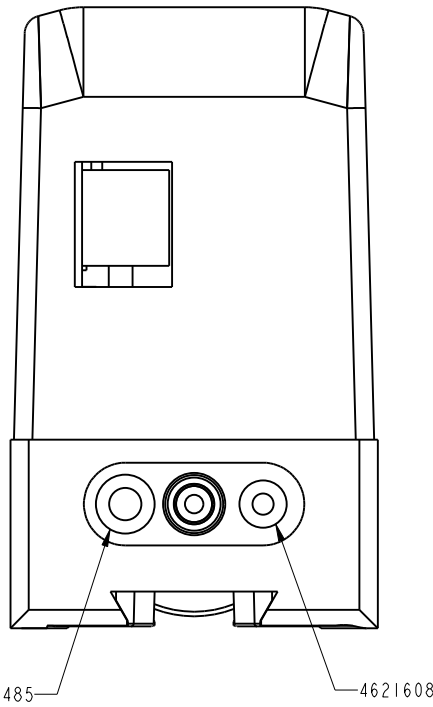
8 7 6 5 4 3 2 1

D

D

C

C



B

B

MODELS:

PM200-BG2.5K
PM200-BG35K
PM200-BG40K
PM200-BG60K
PM200-BG100K
PM200-BG200K
PM200-BG250K

PM200-A100K
PM200-A200K

PM200-G400K
PM200-G700K
PM200-G1M
PM200-G1.4M
PM200-G2M
PM200-G2.5M
PM200-G3.5M
PM200-G4M
PM200-G7M
PM200-G10M
PM200-G14M
PM200-G20M

MODELS:

PM500-G2.5K
PM500-G7K
PM500-G14K
PM500-G20K
PM500-G35K
PM500-G70K
PM500-G100K
PM500-G200K
PM500-G250K
PM500-G350K
PM500-G400K
PM500-G600K
PM500-G700K

PM500-NG100K
PM500-A120K
PM500-A160K
PM500-A200K
PM500-A350K
PM500-A700K
PM500-A1.4M
PM500-A2M

MODELS:

PM500-BG0.25K
PM500-BG1.4K
PM500-BG2.5K
PM500-BG3.5K
PM500-BG7K
PM500-BG14K
PM500-BG25K
PM500-BG40K
PM500-BG60K
PM500-BG100K
PM500-BG200K
PM500-BG250K
PM500-BG350K
PM500-BG400K
PM500-BG700K
PM500-BG1M
PM500-BG1.4M
PM500-BG2M
PM500-BG2.5M
PM500-BG3.5M
PM500-BG4M
PM500-BG7M
PM500-BG10M
PM500-BG14M
PM500-BG20M
PM500-BA120K

MODELS:

PM600-BG15K
PM600-G100K
PM600-G200K
PM600-A100K
PM600-A200K
PM600-A350K
PM600-A700K
PM600-A1.4M
PM600-A2M
PM600-A3.5M
PM600-A7M
PM600-A10M
PM600-A14M
PM600-A20M

MODELS:

PM200-G28M
PM200-G35M
PM200-G40M

PM600-A28M
PM600-A35M
PM600-A40M

MODELS:

PM230-G70M
PM230-G100M

PM630-A70M
PM630-A100M

PMM SEALS

A

A

<p>PROPRIETARY NOTICE THIS DOCUMENT CONTAINS INFORMATION PROPRIETARY TO THE FLUKE CORPORATION AND SHALL NOT BE USED FOR ENGINEERING DESIGN, PROCUREMENT OR MANUFACTURE IN WHOLE OR IN PART WITHOUT THE EXPRESS WRITTEN CONSENT OF THE FLUKE CORPORATION.</p> <p>UNLESS OTHERWISE SPECIFIED ALL DIMENSIONS ARE IN MILLIMETERS (INCHES)</p> <p>TOLERANCES ARE:</p>	<p>FLUKE</p> <p>FLUKE CORPORATION P.O. BOX 9090 EVERETT, WA 98206-9090</p>	
	<p>DESCRIPTION</p> <p>PMM O-RING IDENTIFICATION PMM SEALS</p>	
<p>SIZE</p> <p>D</p>	<p>PART NO.</p> <p>JFPN</p>	<p>FSCM</p> <p>89536</p>
<p>DO NOT SCALE DRAWING</p>		<p>SHEET 1 OF 1</p>