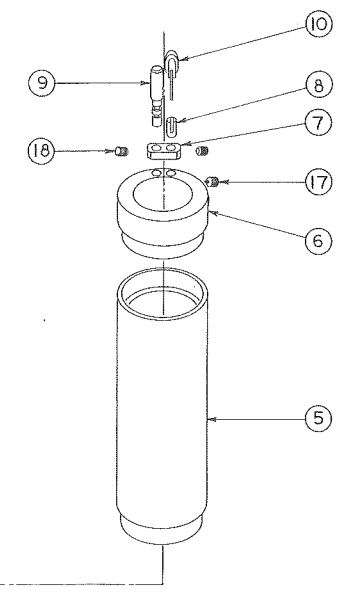
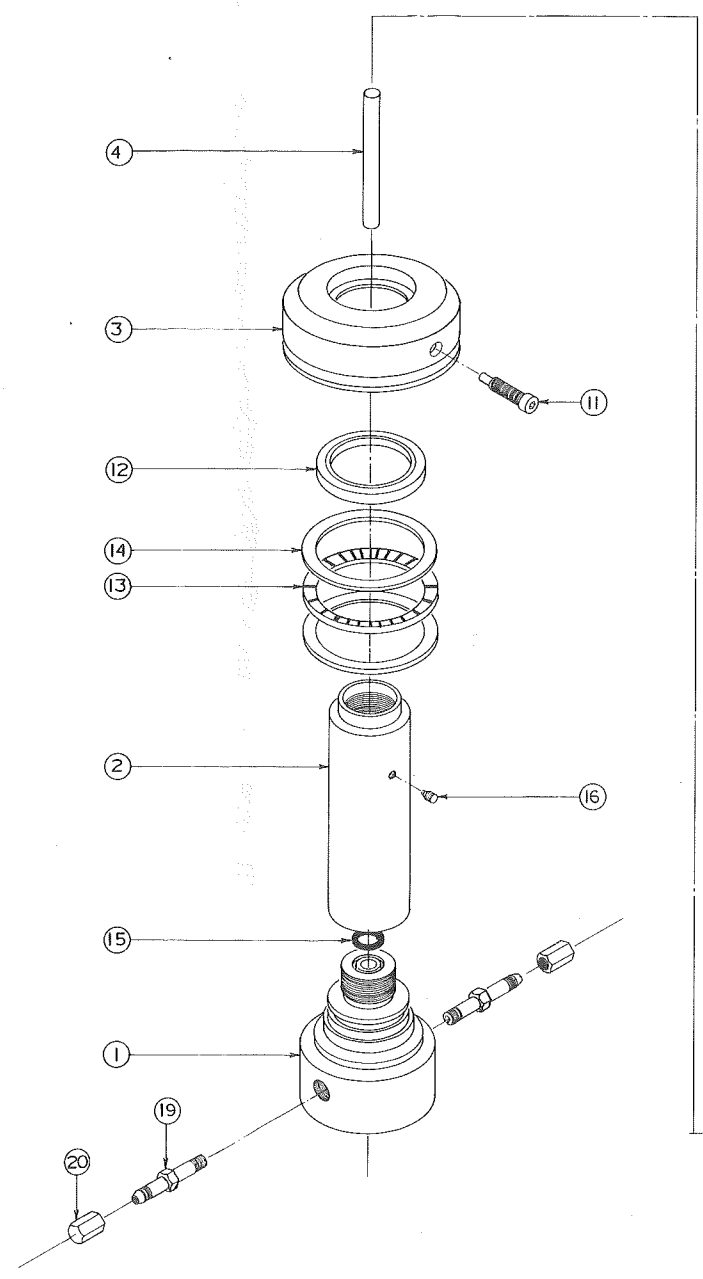
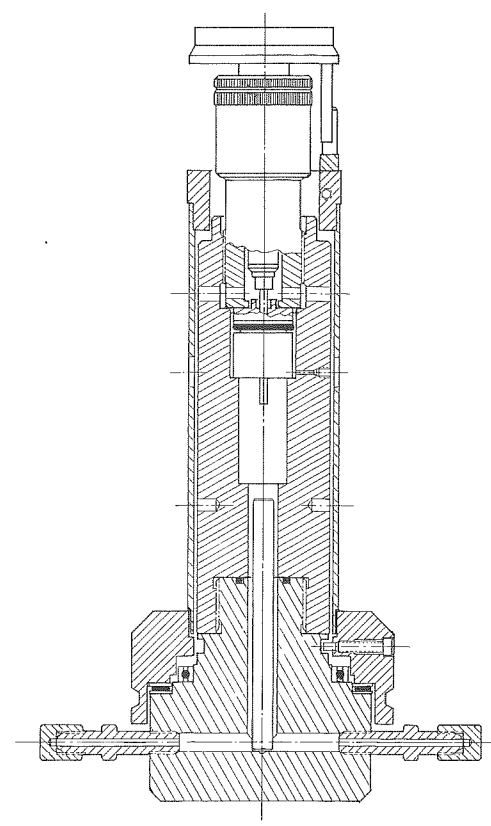


NOTICE: THIS SHEET AND ALL THE INFORMATION THEREON IS THE PROPRIETARY PROPERTY OF RUSKA INSTRUMENT CO. IT IS FORWARDED TO YOU FOR A LIMITED PURPOSE AND IS NOT TO BE COPIED, REPRODUCED, OR DISCLOSED TO OTHERS FOR ANY OTHER PURPOSE.

REV	DESCRIPTION	BY	DATE
A	RELEASED	G. J.	10/10/81

H  
G  
F  
E  
D  
C  
B  
A

H  
G  
F  
E  
D  
C  
B  
A



ITEM QTY	DESCRIPTION	RIC PART NO	MATERIAL	
20	2	CAP	2117-1-1	3/16 RIC
19	2	NIPPLE	2161-2500	1/8 NPT, 3/16 RIC
18	2	SET SCREW	71-124-1500	6-32 UNC - 1/2 LG.
17	1	BALL PLUNGER S.S.	61-735	6-40 UNF - 3/4 LG.
16	1	BLEED SCREW	2450-100-3	#10-32 - 1/2 LG.
15	1	O-RING	54-908-18	90 DURET PARCEL
14	2	THRUST WASHER	5-192	.032 THK. T3A 4860
13	1	BEARING	5-129	NTA-4860 TORR.
12	1	BEARING	5-112	B-546 FIFNIR
11	1	HHCS MODIFIED	2452-4-10	#8-32 UNC x 1" LG.
10	1	DRIVE SPRING ASS'Y	2400-911	DWG. SIZE - A
9	1	DRIVE SPRING STOP	2480-100-5	DWG. SIZE - A
8	1	DRIVE SPRING BUSHING	2400-912-18	DWG. SIZE - A
7	1	DRIVE HOLDER	2480-100-6	DWG. SIZE - B
6	1	SLEEVE BUSHING	2480-100-4	DWG. SIZE - C
5	1	SLEEVE	2480-100-3	DWG. SIZE - B
4	1	VOLUME PLUG	2480-100-7	DWG. SIZE - B
3	1	PULLEY	2450-4-2	DWG. SIZE - B
2	1	UPPER HOUSING	2480-100-1	DWG. SIZE - C
1	1	LOWER HOUSING	2480-100-2	DWG. SIZE - C

TITLE: PRESSURE HOUSING ASSEMBLY  
 DEAD WEIGHT GAGE  
 RUSKA INSTRUMENT CORPORATION  
 HOUSTON, TEXAS  
 DATE: 10/10/81  
 SCALE: 1:1  
 SHEET 1/1

8 7 6 5 4 3 2 1