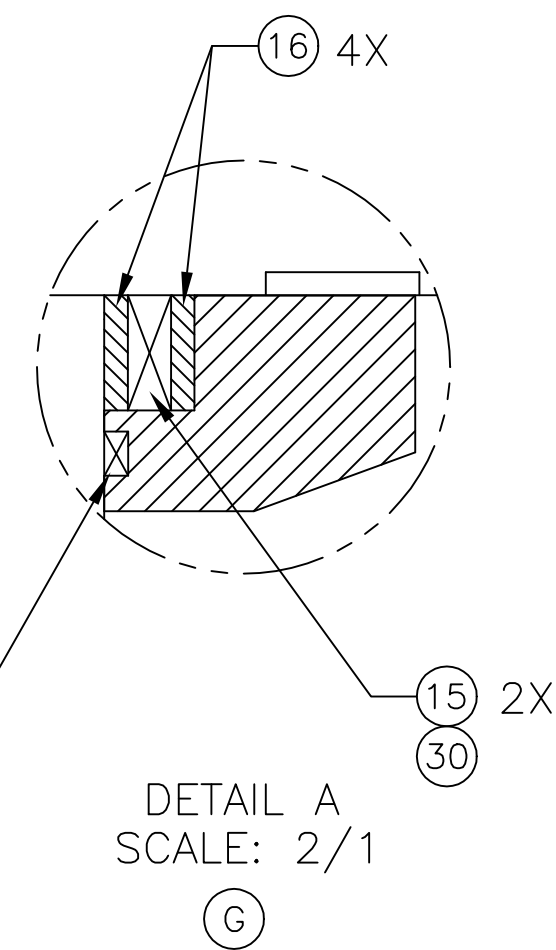
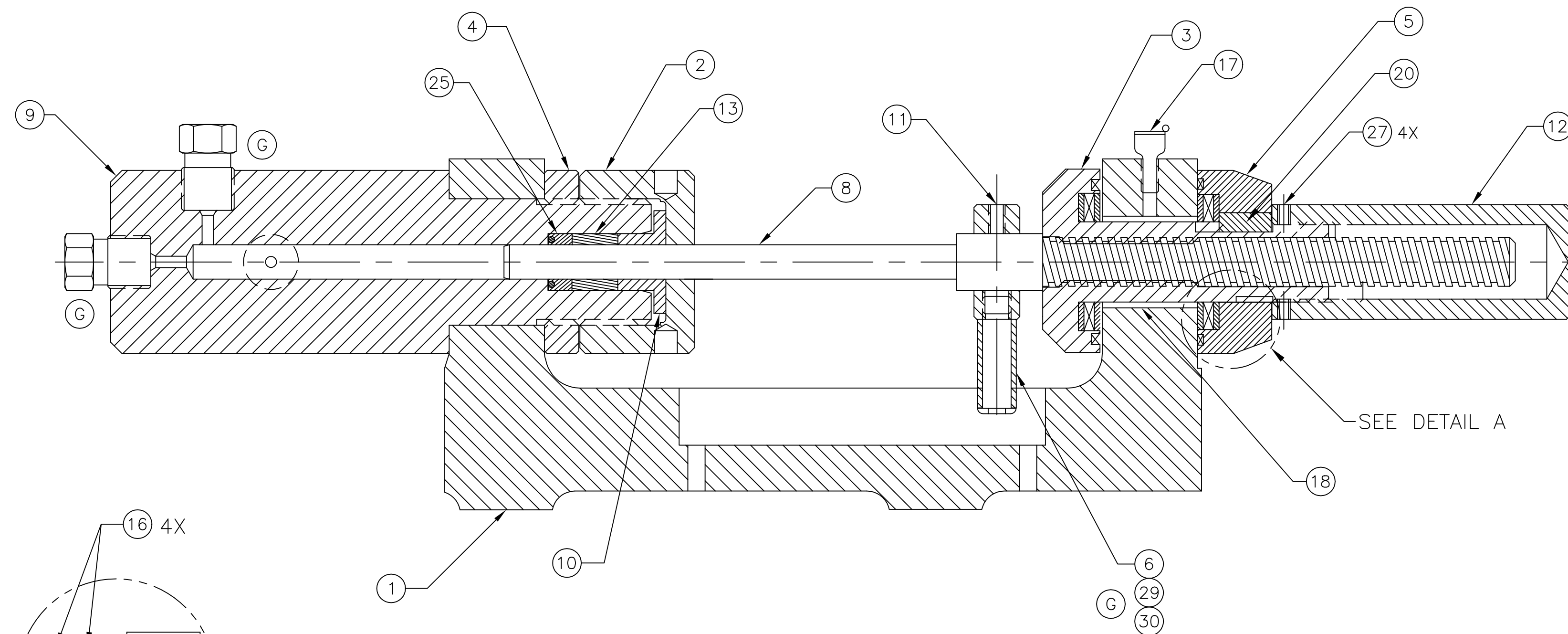
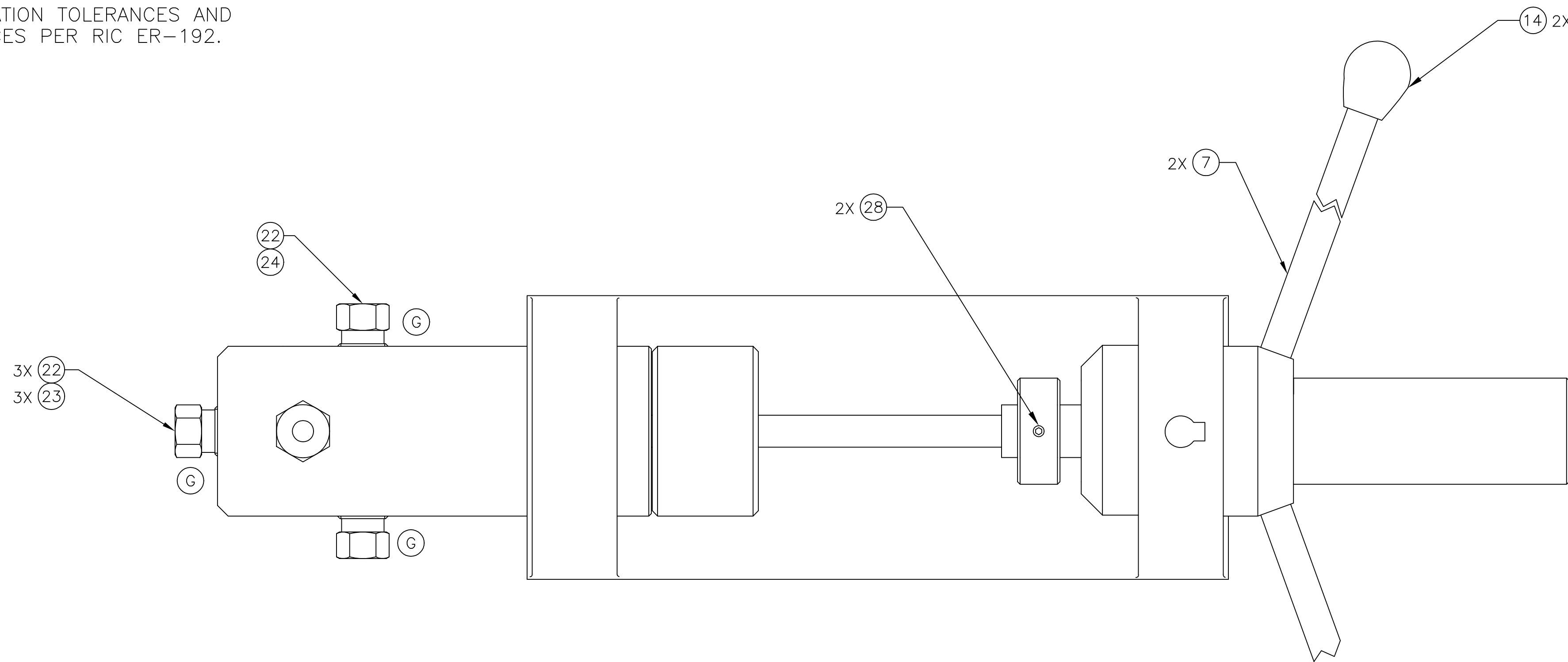


NOTES : UNLESS OTHERWISE SPECIFIED

1. FABRICATION TOLERANCES AND PRACTICES PER RIC ER-192.

REVISION RECORD					
ZONE	LTR	DESCRIPTION	BY	DATE	APP
/	A	RELEASED DCN 3181	ES	8/05/85	GW
/	B	DCN 4165	BJS	1/20/87	MS
/	C	ECO 15385	NS	11/05/91	KH
/	D	ECO 18278	DMC	10/22/92	DMC
/	E	REV PER ECO 17660	DMC	10/18/93	RAP
/	F	REVISED PER ECO 18724	CJJ	9/21/00	RAP
/	G	REVISED PER DCRO 23714	BBT	10/25/02	PDB



ITEM NO.	QTY	UNIT	PART OR IDENTIFYING NO.	NOMENCLATURE OR DESCRIPTION	SPECIFICATION OR COMMENTS
(G) 30	1	EA	45-328	GREASE, LUBRIPLATE #630-AA	NOT SHOWN
(G) 29	1	EA	2428-201-008	BUSHING, ROLLER, ANTI-ROTATION	--
(G) 28	2	EA	71-126-1500	SCREW, HHSS, 10-24 X 5/16 ST	--
(G) 27	4	EA	70-123-1500	SCREW, HHSS, 5-40 X 1/4 ST	--
(G) 26	-	-	-	-	--
(G) 25	1	EA	72-41	SEAL, .625 O.D. X .375 I.D.	--
(G) 24	1	EA	24-896	PLUG, 1/4 HI PRESSURE	--
(G) 23	3	EA	24-895	COLLAR, 1/4 HI PRESSURE	--
(G) 22	4	EA	24-894	FTG, GLAND, 1/4 HI PRESSURE	--
(G) 21	2	EA	99371-43	SEAL DUST, FELT ROPE, 1/8 IN.	--
(G) 20	1	EA	99056-8	KEY, SQUARE, 3/16 X 1/2	--
(G) 19	1	EA	94-617	WRENCH, SPANNER, 2"	NOT SHOWN
(G) 18	1	EA	8-341	BUSHING, BRONZE	--
(G) 17	1	EA	55-594	OILERS GITS 105	--
(G) 16	4	EA	5-190	WASHER, THRUST BEARING	--
(G) 15	2	EA	5-127	THRUST BEARING, 1-7/16 X 7/8	--
(G) 14	2	EA	39-14	KNOB, BLK OVAL	--
(G) 13	1	EA	2428-201-003	SEAL SPACER, HAND PUMP	--
(G) 12	1	EA	2427-1-7	COVER, THREAD, HAND PUMP	--
(G) 11	1	EA	2427-1-3	COLLAR, STOP, HAND PUMP	--
(G) 10	1	EA	2427-1-2	RING, FOLLOW, HAND PUMP	--
(G) 9	1	EA	2428-201-002	CYLINDER, HAND PUMP, 40K PSI	--
(G) 8	1	EA	2427-1-17	PLUNGER, HAND PUMP, 40K PSI	--
(G) 7	2	EA	2485-900-035	HANDLE, HAND PUMP	--
(G) 6	1	EA	2428-201-007	PIN, ANTI-ROTATION, HAND PUMP	--
(G) 5	1	EA	2426-1-7	HUB, HANDLE, HAND PUMP	--
(G) 4	1	EA	2426-1-4	NUT, CYL RETAINING, HAND PUMP	--
(G) 3	1	EA	2426-1-2	NUT, DRIVE HAND PUMP, 15K PSI	--
(G) 2	1	EA	2426-1-10	NUT, PACKING RETAINER	--
(G) 1	1	EA	2426-1-1	BASE, HAND PUMP, 15K PSI	--

FINISH	MATERIAL SPECIFICATION (RIC NO.)	DRAWN	ES	DATE	8/02/85	FSCM NO.	96116	RUSKA® INSTRUMENT CORPORATION HOUSTON, TEXAS	
	MATERIAL DESCRIPTION	CHECK	WG LINDSEY	1/10/86	TITLE	HAND PUMP ASSY.			
NOTICE: THIS SHEET AND ALL INFORMATION THEREON IS THE CONFIDENTIAL PROPERTY OF RUSKA INSTRUMENT CORP. IT IS FURNISHED FOR A LIMITED PURPOSE AND IS NOT TO BE USED, REPRODUCED, OR DISCLOSED TO OTHERS FOR ANY OTHER PURPOSE. COPYRIGHTED AS AN UNPUBLISHED WORK. © ALL RIGHTS RESERVED-1989		PROJECT ENGR		SIZE	D	DRAWING NO.	2427-800	REV	G
		MGR QUALITY		SCALE	1/1	FILE NO.	002519G1.DWG	SHEET	1 OF 1
		MGR ENGR SVCS		UNLESS OTHERWISE SPECIFIED: DIMENSIONS ARE IN INCHES TOLERANCES					
		VP ENGR		DECIMALS	.X ± .030	ANGULAR	± 5°		
VP MFG		XX	± .010						
		.XXX	± .005						