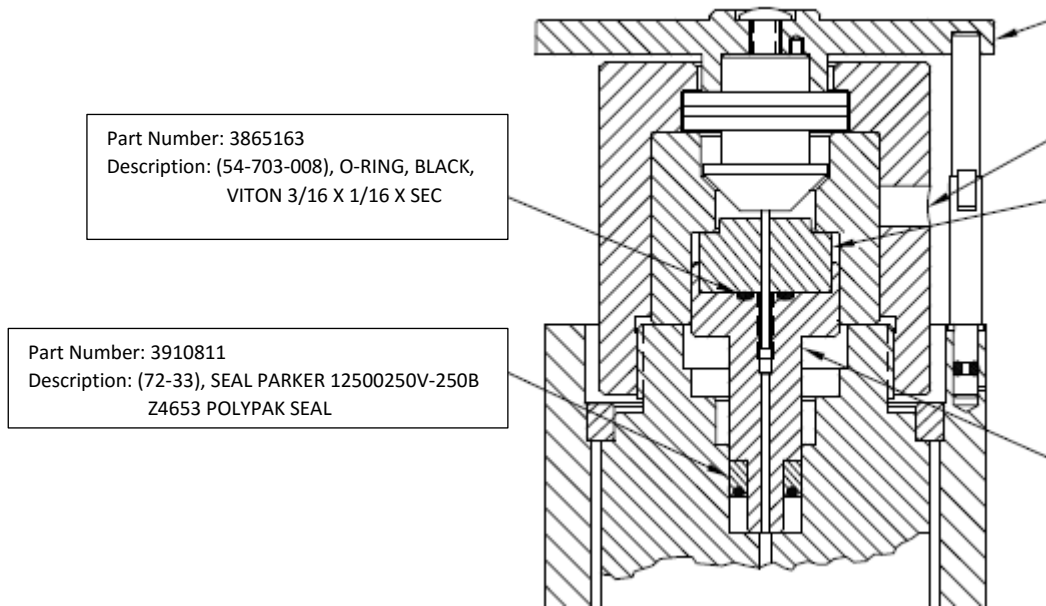


2485 mounting post / PCU seals



3865094 (54-700-437) DRIVE BELT, 2485 1.00 EACH FOR ROTATION SLEEVE

3865163 (54-703-008) O-RING, VITON, 3/16 I.D. X 1/16 CROSS SECTION, 6.00 EACH FOR EXTENDED RANGE P/C

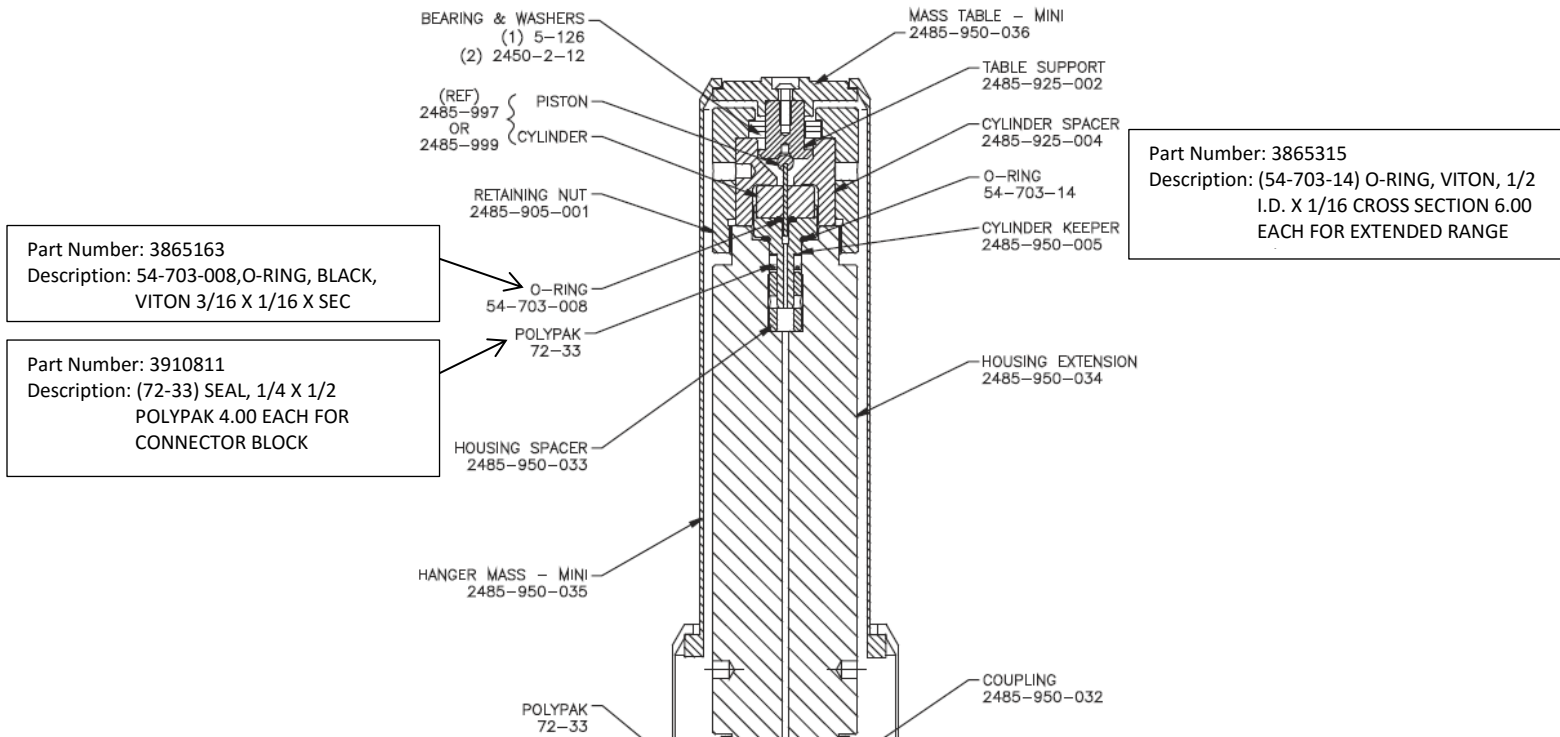
3865250 (54-703-117) O-RING VITON 13/16 X 3/32 CROSS SECTION 2.00 EACH FOR P/Cs OTHER THAN EXTENDED RANGE

3865315 (54-703-14) O-RING, VITON, 1/2 I.D. X 1/16 CROSS SECTION 6.00 EACH FOR EXTENDED RANGE P/C

3910811 (72-33) SEAL, 1/4 X 1/2 POLYPAK 4.00 EACH FOR CONNECTOR BLOCK

2485-203-001 GLAND REMOVAL TOOL 1.00 EACH FOR PRESSURE COLUMN (NO LONGER AVAILABLE)

2485-203-002 P/C ASSEMBLY TOOL 1.00 EACH FOR QUICK-CHANGE P/C HOLDER (NO LONGER AVAILABLE)



Setup Kit 2485-202 for RUSKA 2485-930/950

Table B-1. Setup Kit 2485-202 for RUSKA 2485-930/950

Part Number	Description	Qty & Unit of measure	Notes
2411-702-010	RTD (PRT) HOLDER 1/8 NPT X 3/16"	1.00 EACH	
2465-100	PISTON & CYLINDER CLEANING KIT	1.00 EACH	
2485-102-001	LOW RANGE CYLINDER CLEANING TOOL	1.00 EACH	
2485-1D02	USER'S MANUAL	1.00 EACH	
2485-920	MIRROR BLOCK	1.00 EACH	FOR FLOAT POSITION
2485-KIT-001	ADAPTER KIT	1.00 EACH	FOR AUXILIARY CONNECTOR BLOCK
26-216	FUSE, 1 AMP, SLOW BLOW (SIZE 3AB)	2.00 EACH	
54-700-437	DRIVE BELT, 2485	1.00 EACH	FOR ROTATION SLEEVE
54-703-008	O-RING, VITON, 3/16 I.D. X 1/16 CROSS SECTION	6.00 EACH	FOR EXTENDED RANGE P/C
54-703-117	O-RING VITON 13/16 X 3/32 CROSS SECTION	2.00 EACH	FOR P/Cs OTHER THAN EXTENDED RANGE
54-703-14	O-RING, VITON, 1/2 I.D. X 1/16 CROSS SECTION	6.00 EACH	FOR EXTENDED RANGE P/C
72-33	SEAL, 1/4 X 1/2 PLOYPAK	4.00 EACH	FOR CONNECTOR BLOCK
86-802	TUBING, CLEAR PLASTIC, 3/8 OD X 1/16 W X 1/4 ID	5.00 FEET	WASTE MEDIA DRAIN LINE
94-607	WRENCH, HEX KEY, 1/8	1.00 EACH	
94-608	WRENCH, HEX KEY, 3/32	1.00 EACH	