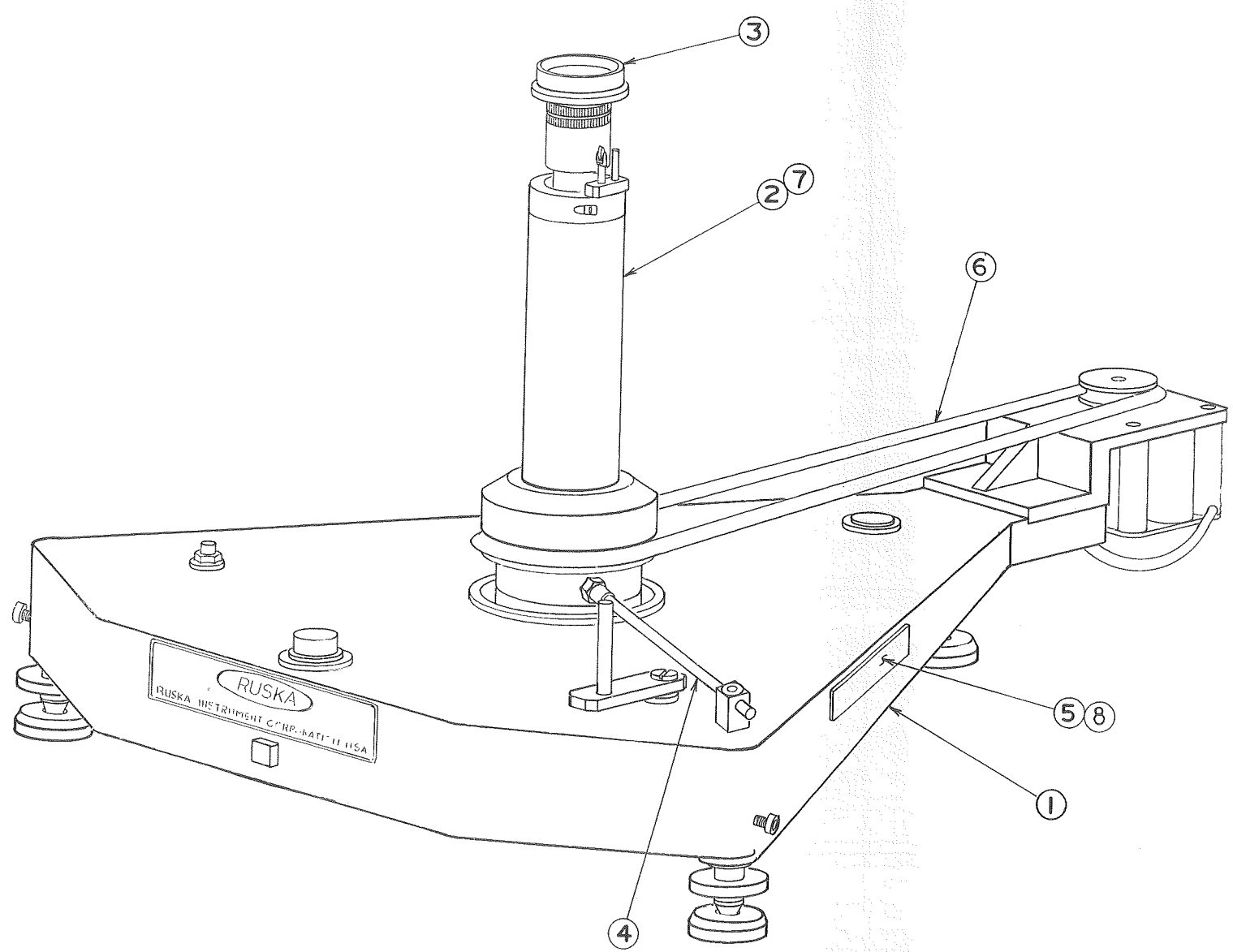


IS THE CONFIDENTIAL PROPERTY OF RUSKA INSTRUMENT CORP. IT IS FURNISHED TO YOU FOR A LIMITED PURPOSE AND IS NOT TO BE USED, REPRODUCED, OR DISCLOSED TO OTHERS FOR ANY OTHER PURPOSE.

| REVISION RECORD | | | | |
|-----------------|-------------|------|----------|------|
| LTR | DESCRIPTION | BY | DATE | APP |
| A | DCN-2217 | G.J. | 11-22-84 | M.S. |
| B | DCN-2284 | G.J. | 11-25-84 | M.S. |
| C | D-11 3324 | E. | 12-20-84 | M.S. |
| D | DCN 4-1-85 | | | |



NOTES:
 ⚠ ADJUST LEVEL VIAL TO INDICATE CENTER OF VIAL WITH WEIGHT LEVEL ± 5 MINUTES.
 ⓐ ⓑ REMOVED

| ITEM | QTY | DESCRIPTION | RIC PART No | MATERIAL |
|------|-----|------------------------|-------------|-------------------|
| 9 | 1 | SPARE PARTS KIT | 2480-102 | |
| 8 | 4 | DRIVE SCREW | 71-108 | #0 x 1/8" |
| 7 | 3 | SCREW | 70-228-2101 | 3/8"-16 x 1" HRCS |
| 6 | 1 | O-RING | 54-700-451 | BANA |
| 5 | 1 | DATA PLATE | 2480-101-3 | DWG. SIZE - A |
| 4 | 1 | THERMOMETER ASS'Y | 2480-105 | |
| 3 | 1 | TABLE ASS'Y | 2451-3-900 | DWG. SIZE - B |
| 2 | 1 | PRESSURE HOUSING ASS'Y | 2481-100 | DWG. SIZE - E |
| 1 | 1 | BASE ASS'Y | 2480-101 | DWG. SIZE - D |

| | | | |
|--------------|---|---------|--|
| TOL NOT SPEC | SIGNATURES | DATE | INSTRUMENT PLATFORM 15K PSI 280MPA DEAD WEIGHT GAGE |
| X ± .030 | DR G.E.J. | 9-13-84 | |
| .XX ± .010 | CK [Signature] | 10-8-84 | |
| .XXX ± .005 | APP [Signature] | 10-8-91 | |
| ANG ± | DS | | |
| FINISH | APP | | |
| MATERIAL | RUSKA INSTRUMENT CORPORATION HOUSTON, TEXAS | | SIZE NUMBER 2480-700 |
| SCALE 1:2 | | | REV. SHEET 2/2 |