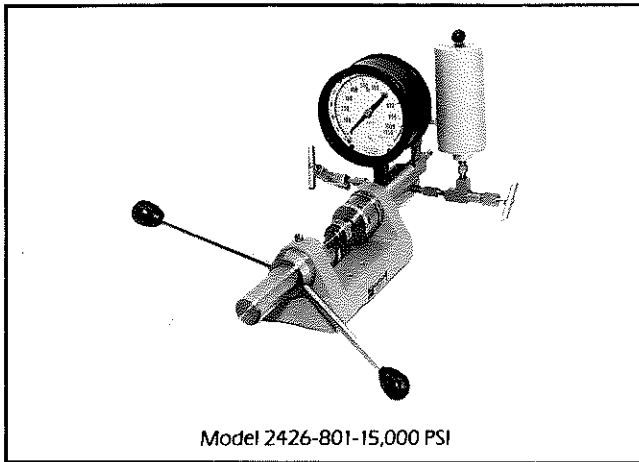
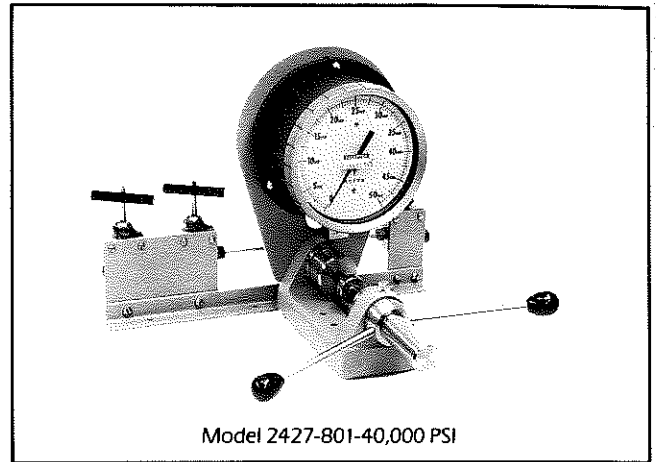


ACCESSORIES: HAND PUMPS FILTER TRAPS



Model 2426-801-15,000 PSI



Model 2427-801-40,000 PSI

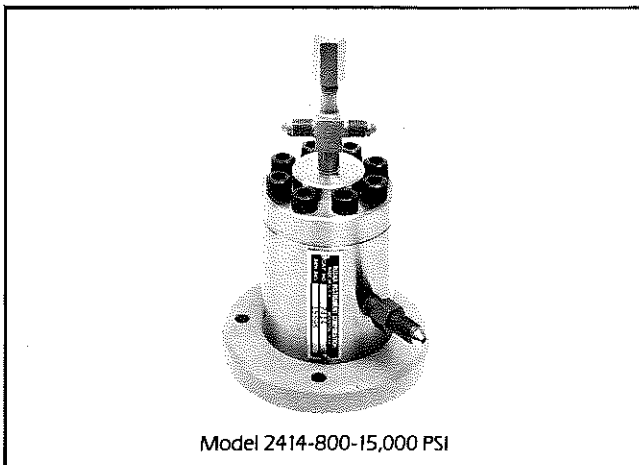
DESCRIPTION

The RUSKA hand-operated pumps are screw-type positive displacement pumps. They are used to generate and precisely adjust system pressure. However, because of the small volume of the pumps, it takes several strokes to pressurize a system. Therefore, it is wise to incorporate a transfer pump (See Model 5202-804). Page 32.

Series 2426 has a maximum working pressure of 15,000 PSI and a displacement of 9.8 cc. Packing is synthetic U-cup with nylon spacers. The Series 2427 has a maximum working pressure of 40,000 PSI and a displacement of 4.7 cc.

At high pressures this pump requires substantial torque. Therefore, a motorized pump is recommended for "roughing in" pressure (see 1461-801 Pages 8 and 9). Packing is glass filled Teflon. Construction material is series 400 heat treated stainless steel. Other materials and special packing can be supplied for water, freon, or corrosive service on special order.

Both pump models are available with several accessory groups. See page 33 for detailed description and ordering information.



Model 2414-800-15,000 PSI



Model 2436-800-40,000 PSI

DESCRIPTION

A filter trap is recommended in hydraulic systems to isolate the device under test from the dead weight gage. Abrasive particles can cause damage to the

dead weight gage piston or cylinder. Whenever possible, the device to be tested should be cleaned prior to installation in the system.



ORDERING INFORMATION

PRODUCT NO.	DESCRIPTION	WORKING PRESSURE	
2414-800	FILTER TRAP	15,000 PSI	CONN: 1/8" female NPT with adapters to RUSKA straight thread connector for 3/16" O.D. flared tubing.
2436-800	FILTER TRAP	40,000 PSI	CONN: Female 9/16"-18 thd NBS type for 1/4" O.D. coned tubing with nut and collar.
2426-800	HAND PUMP, no accessories		
2426-801	HAND PUMP with 100 cc reservoir, 3 valves and 15,000 PSI FS reference gage. Metric and English scale.		
2426-808	HAND PUMP with 100 cc reservoir, 3 valves and 3,000 PSI FS reference gage. Metric and English scale.	15,000 PSI	CONN: Three 1/8" female NPT outlets on cylinder and one 1/2" female NPT outlet on top of cylinder for gage connection. When valves are included, adapters to RUSKA straight thread connector for 3/16" O.D. flared tubing are supplied.
2426-802	HAND PUMP with 3 valves and 15,000 PSI FS reference gage. Metric and English scale.		
2426-805	HAND PUMP with 3 valves and 3,000 PSI FS reference gage. Metric and English scale.		
2426-803	HAND PUMP with one valve. Gas service. English and Metric gage—15,000 PSI.		
2426-822	HAND PUMP with 3 valves, for water service.		
2427-800	HAND PUMP no accessories	40,000 PSI	CONN: Female 9/16"-18 thd NBS type for 1/4" O.D. coned tubing with nut and collar.
2427-801	HAND PUMP with 3 valves and 50,000 PSI FS reference gage		
2427-803	Same as 2427-801 but with 4 valves.		
✓ 1461-800 ✓	PUMP, MOTOR DRIVEN, -115 V-60 Hz (Roughing pump) no accessories	40,000 PSI	CONN: Female 9/16"-18 thd NBS type for 1/4" O.D. coned tubing with nut and collar.
5202-804	TRANSFER PUMP with manifold and relief valve	1,500 PSI	INLET CONN: 1/8" female NPT OUTLET CONN: 1/8" female NPT
2419-800	RESERVOIR, OIL 1500cc volume		
2419-803	RESERVOIR, MERCURY 1500cc volume		
2419-804	RESERVOIR, FREON 1500cc volume	atm.	CONN: 1/8" female NPT
2194-803	RESERVOIR, MERCURY 4000cc volume		
2194-804	RESERVOIR, FREON 4000cc volume		