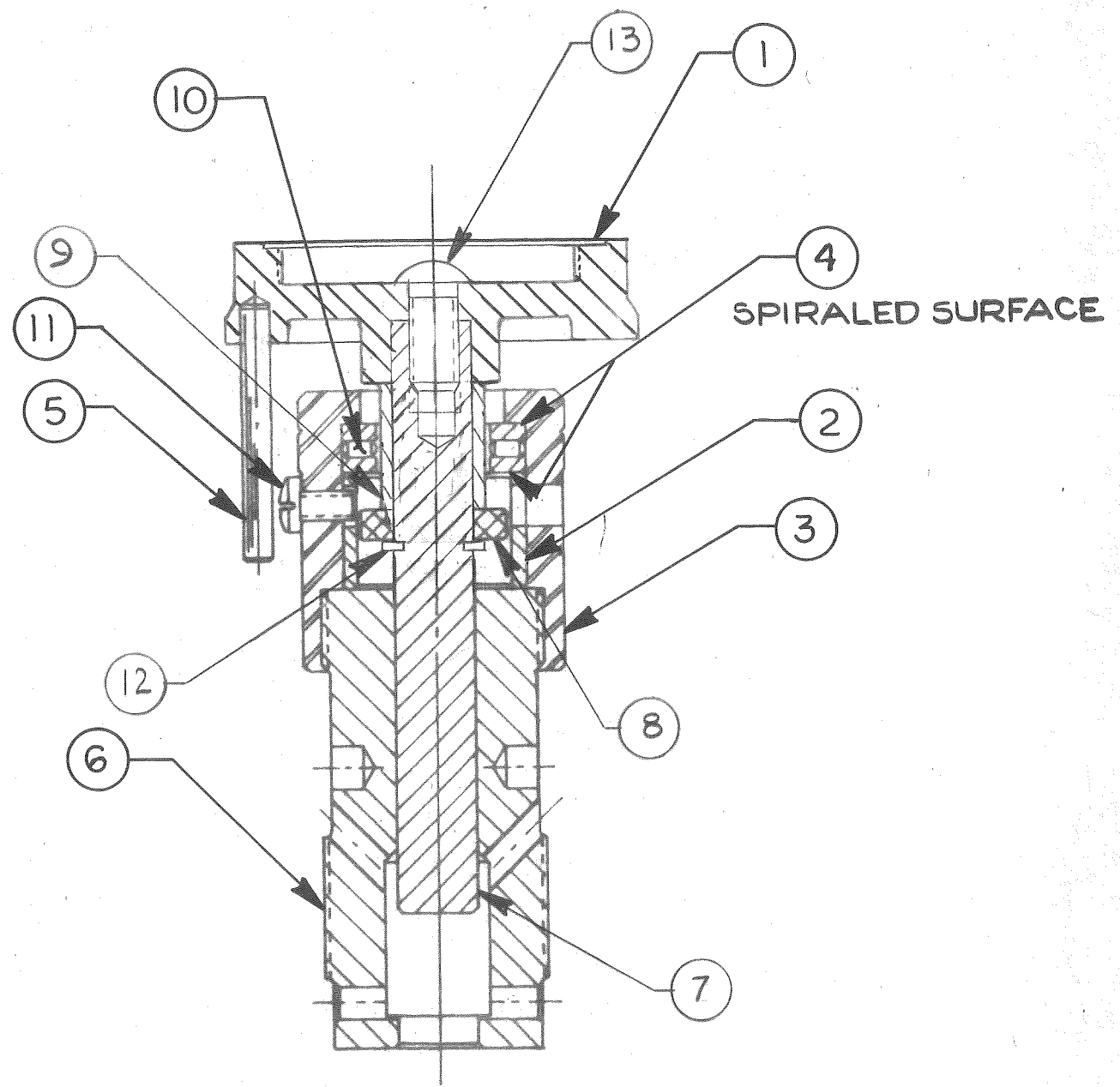


REVISION RECORD				
LTR	DESCRIPTION	BY	DATE	APP
A	RELEASED DCN 3644	ES	1-29-86	Roc



13	1	BUHMS 5/16-18 X 5/8"	70-199-401	
12	1	RETAINER RING	68-689	
11	1	BHMS 8-32 X 3/8	70-141-1201	
10	1	BEARING	5-126	
9	1	COLLAR	2480-107-4	
8	1	THRUST WASHER	2480-107-3	
7	1	TABLE SUPPORT	2480-107-5	
6	1	TABLE SUPPORT BSHG	2450-100-7	
5	1	DRIVE PIN	2450-8-2	
4	2	THRUST WASHER	2450-2-12	
3	1	RETAINING NUT	2450-2-11	
2	1	BEARING SPACER	2450-2-10	
1	1	TABLE AND BUSHING ASSY	2480-107-1	

ITEM	REQD	DESCRIPTION	RIC PART NUMBER	MATERIAL
TOLERANCES		UNLESS OTHERWISE NOTED, DIMENSIONS ARE IN INCHES.	DWN ES DATE 1-29-86 CHK [Signature] DATE 2-6-86 APP [Signature] DATE 2-6-86	
.X ± .030 .XX ± .010 .XXX ± .005 ANG. ±		REMOVE BURRS AND SHARP EDGES	RUSKA INSTRUMENT CORPORATION HOUSTON, TEXAS	
SURFACE FINISH IN MICROINCHES RMS UNLESS OTHERWISE NOTED.		FINISH	DEAD WEIGHT GAGE 40,000 PSI	
NOTICE: THIS SHEET AND ALL THE INFORMATION THEREON IS THE CONFIDENTIAL PROPERTY OF RUSKA INSTRUMENT CORP. IT IS FURNISHED TO YOU FOR A LIMITED PURPOSE AND IS NOT TO BE USED, REPRODUCED, OR DISCLOSED TO OTHERS FOR ANY OTHER PURPOSE ISSUED TO.			SIZE B	NUMBER 2480-107
			SCALE 1:1	REV A
			SHEET 1 of 1	