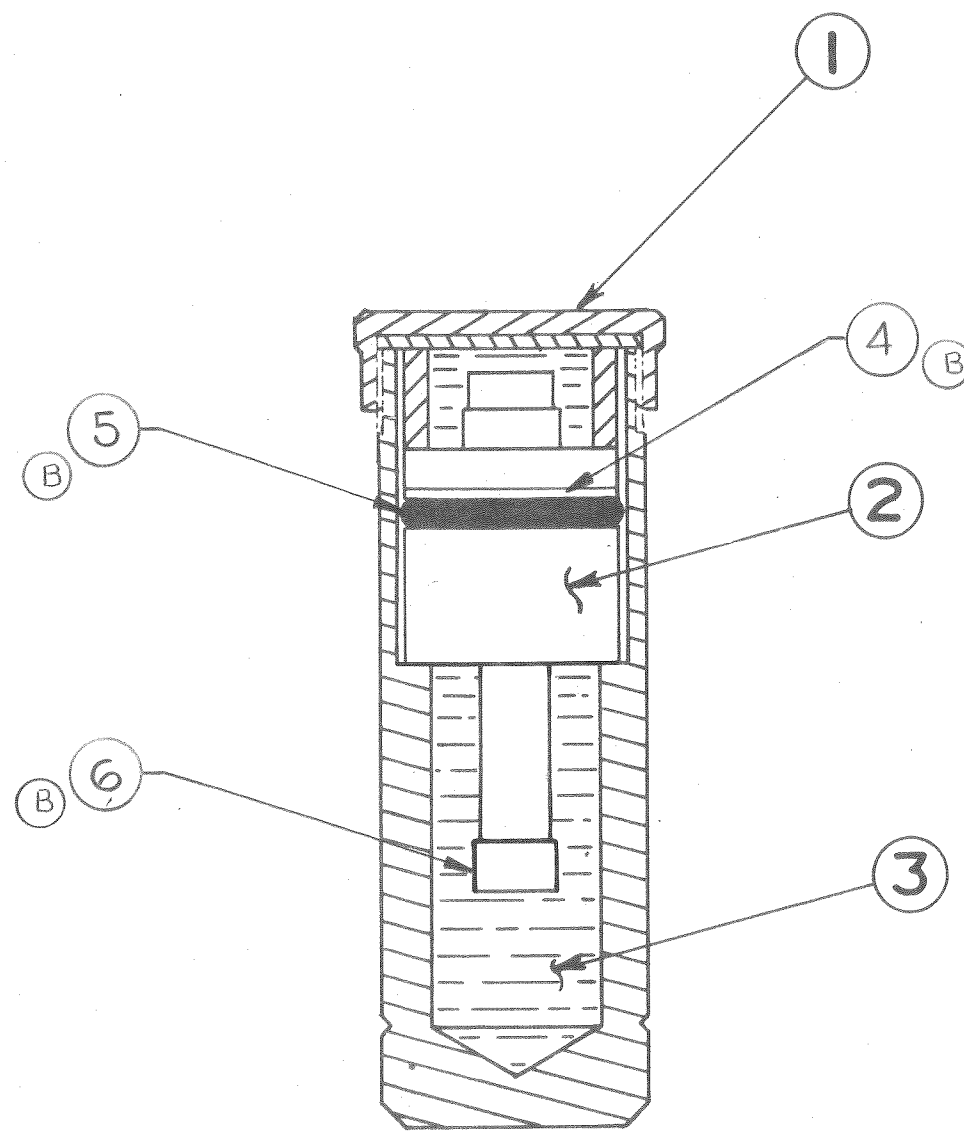


NOTICE: THIS SHEET AND ALL THE INFORMATION THEREON IS THE CONFIDENTIAL PROPERTY OF RUSKA INSTRUMENT CORP. IT IS FURNISHED TO YOU FOR A LIMITED PURPOSE AND IS NOT TO BE USED, REPRODUCED, OR DISCLOSED TO OTHERS FOR ANY OTHER PURPOSE.

REVISION RECORD				
LTR	DESCRIPTION	BY	DATE	APP
A	DCN 2248	G.J.	10-22-84	MBJ
B	DCN 3912	ES	10-28-86	MBJ



ITEM	QTY.	DESCRIPTION	RIC PART N ^o	MATERIAL
(B) 6	1	LOWER THRUST PLATE	2450-15-2	
(B) 5	1	O'RING	54-700-212	
(B) 4	1	BACK UP RING	2450-1-8	
3	1	HYDRAULIC OIL	55-500	
2	1	PISTON & CYLINDER ASS'Y	2450-15	
1	1	CANISTER ASSEMBLY	2480-106	

TOL NOT SPEC	SIGNATURES	DATE
.X ± .030	DR G.E.J.	10-16-84
.XX ± .010	CK <i>[Signature]</i>	10-22-84
.XXX ± .005	DS	
ANG ±	APP <i>[Signature]</i>	10-22-84

LOW RANGE P/C ASS'Y
4,000 PSI
DEAD WEIGHT GAGE

MATERIAL	SIZE	NUMBER	REV.
RUSKA INSTRUMENT CORPORATION HOUSTON, TEXAS	B	2480-704	B
SCALE 1:1		REV DATE	SHEET 1/1